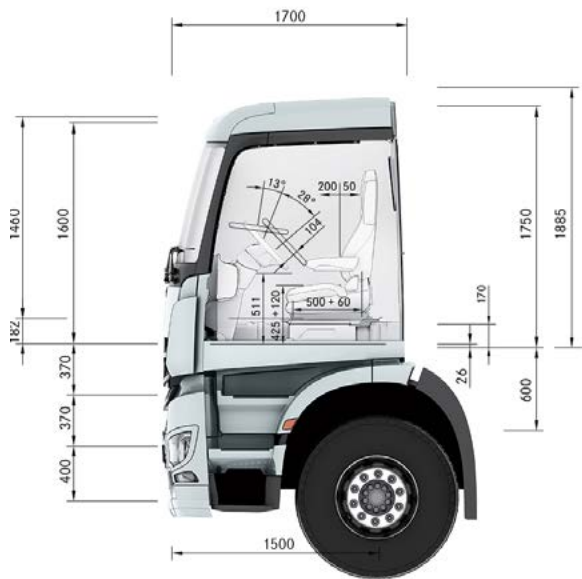




Mercedes-Benz
Trucks you can trust

ClassicSpace S-cab 2300 mm.



Exterior width [mm]	2300
Exterior length [mm]	1700
Headroom in front of the seats [mm]	1600
Headroom on 170 mm engine tunnel variant [mm]	1460
Headroom on 320 mm engine tunnel variant [mm]	1310

The ClassicSpace S-cab is 2300 mm wide, available with an engine tunnel height of 170 mm or 320 mm and is characterised by the practical, comfortable workspace as well as by the staircase-like entrance, for example, plus a very good overview and its high suitability for operating profiles.

