



The Atego.

Distribution. 7.5-16 tonnes.

Mercedes-Benz

Trucks you can trust



Contents.

The Atego

4-5

Versatility

6-13

Ride comfort, equipment, good body-mounting ability

6-11

Engines, transmissions, gearshift

12-13

Efficiency

14-25

RoadEfficiency

14-15

Greater safety

16

Low fuel consumption

17-19

Low total costs

20-21

Maximised use

22-25

Reliability

26-29

Genuine Accessories

30

RoadStars

31

Technical data

32-35

Cab variants

32-33

Model overview

34

Engine performance data

35



Up to any challenge. Mercedes-Benz distribution transportation.

With the Atego you are ideally prepared for the challenges of light-duty distribution haulage, thanks to its high efficiency and reliability. Because of its versatility, the Atego offers an application specific vehicle configuration for practically every requirement and every sector.

Versatility. The Atego is a particularly versatile truck that makes easy work of distribution haulage with equipment designed for your specific operations.

To enable the Atego to be tailored as closely as possible to its field of work, it is available with four cabs and three cockpit variants. All cabs boast well-conceived ergonomics, a high standard of comfort and a wealth of application specific equipment for simple handling and efficient work.

The Atego also shows its versatility when it comes to the powertrain: with fuel-efficient, high-torque 4- and 6-cylinder inline engines, PowerShift 3 automatic gearshift and an optionally available manual transmission. Safe, effortlessly superior handling ensures you will cope easily with difficult driving situations and manoeuvres. A wide range of transmission and axle combinations completes the picture.

Because the demands made on a vehicle used for short-radius distribution operations can vary so much, the Atego comes with outstanding body-mounting ability. This is ensured by a wide range of factors, including its electrics and electronics concept and a diverse array of factory-fitted pre-installations.

The Atego's versatility ensures you are ideally prepared for daily operations in light-duty distribution haulage. Today and tomorrow.

You leave nothing to chance – and your vehicle should follow suit.

You can expect a lot from the Atego. For example, efficient working with the vehicle, excellent handling and great body-mounting ability. Which all adds up to just about everything you need.

BigSpace L-cab. Thanks to its headroom¹⁾ of 1910 mm, the optionally available L-cab (320 mm engine tunnel) also offers plenty of comfort and freedom of movement for long runs lasting more than one day.

ClassicSpace L-cab. The optionally available L-cab (320 mm engine tunnel) offers plenty of comfort and freedom of movement for long runs lasting more than one day. The very spacious interior makes the driver's task easier while the bottom comfort bunk makes for pleasant rest periods. Plenty of storage space and compartments make it easy to keep the cab tidy.

ClassicSpace S-cab, extended. The cab offers a comfortable workplace with a well-organised layout and compact exterior dimensions. Additional living space is provided as the rear wall has been moved back by 180 mm.

ClassicSpace S-cab. Thanks to its compact dimensions, the ClassicSpace S-cab reconciles a comfortable workplace with a well-organised layout and a full-length body.

Low entrance. The low entrance is typical of the way in which the Atego accommodates operational needs: one or two steps²⁾, wide-opening doors and grab handles on both sides afford easy, safe and convenient access to the cab.



BigSpace L-cab.

Workplace Atego. Three cockpit variants boast ergonomic design and provide ample stowage facilities. Intuitive switchgear and the multifunction steering wheel offer added ergonomic comfort. A 4" instrument cluster presents comprehensive and clearly arranged information enabling relaxed and concentrated driving. A 5" instrument cluster with video function is optionally available for the purposes of using a reversing camera³. All three cockpit variants boast ergonomic design and an exemplary arrangement of stowage facilities and control elements. The multifunction steering wheel provides for added ergonomic comfort.

Standard cockpit⁴. From the cupholder within reach of the driver to the power socket: everything in the cab is designed to make the job of the driver easier and more pleasant.

Comfort Cockpit. With its projecting stowage unit below the instrument support, this optionally available cockpit offers additional space to complement the already generous array of storage facilities. This means that there is a place for everything, even on the longest trips.

Classic Cockpit. The ample storage facilities that come with this cockpit variant make it ideal for use in short-radius distribution operations. Everything is arranged ergonomically and within the driver's reach. Soft surfaces conjure up a high-class setting.



Classic Cockpit.

¹) Headroom in front of the seats.

²) Availability dependent on gross vehicle weight and engine.

³) A reversing camera is available from Mercedes-Benz Accessories.

⁴) Standard equipment in conjunction with centre seat.

Multifunction steering wheel. With eight control buttons on both the right and left, it is possible to control many functions in one place. For example, telephone calls can be answered and radio settings can be adjusted.

Pre-installation for multimedia use. A universal pre-installation for the easy integration of mobile phones, MP3 players or standard navigation systems is optionally available. Voice output is via the vehicle's loudspeakers.

Radios. To ensure good entertainment on-board, the Atego is equipped with a radio featuring USB connectivity or optionally equipped with a radio with USB and Bluetooth® connectivity.

Seats. All the seats impress with a high level of comfort. The controls are arranged intuitively, the seat cushions are particularly wide and the adjustment range especially large: lengthwise up to 200 mm, height up to 100 mm. A suspension seat is fitted as standard on the Atego. The air-sprung seat boasts a higher standard of seated comfort, several adjustment options and a flat-weave fabric cover. The comfort suspension seat and the climatized suspension seat are available for even greater comfort. The optionally available air-sprung comfort suspension seat can be adjusted to meet the individual occupant's requirements and provides the best ergonomic basis as well as a great deal of comfort. The integrated seat heating contributes to this comfort.



Multifunction steering wheel.



5" instrument cluster with video function¹⁾.



Comfort suspension seat.

Stowage facilities and compartments. The stowage concept meets the most varied requirements, making it easier to keep the cab tidy and maintain a high level of organisation and efficiency. From the large stowage compartment on the dash support to the stowage facilities in the cockpit, on the engine tunnel, above the windscreen and in the door panelling – everything is tailored perfectly to the items that need to be stowed away. Optionally available for the engine tunnel are a low-mounted storage facility with two cup holders and an ashtray slot, a high-mounted stowage compartment for everyday items and a refrigerator box in which bottles and food can be stored separately. The stowage net which is optionally available on the rear panel for S-cabs further augments the scope of stowage facilities on offer. Alongside the stowage

facilities in the cockpit, in the doors and on the engine tunnel, the L-cab ClassicSpace has additional stowage space on offer, for example in the stowage compartments above the windscreen and under the bed.



¹⁾ Optional equipment.

Stowage compartments for the L-cab BigSpace.

Resting and sleeping comfort. The Atego features various comfortable beds, when specified with an L-cab. In addition to the bottom bed that is fitted in all L-cabs as standard, for the BigSpace L-cab the top comfort bed is optional with a width of 685 mm and a length of 1865 mm. On L-cabs an optional flexible seat/bunk combination can be configured either as a sleeping berth or as seating for up to four people.

Ride comfort. The Atego imparts a very good, self-assured feeling behind the wheel. This stems from Stability Control Assist, the cab mountings, the steering, the rear axle guide and the suspension, all of which work together in exemplary fashion.

Cab suspension system, reinforced at rear. The optionally available cab suspension system with reinforced rear coil springs enhances suspension comfort for steel-sprung cabs when the cab is fitted out with a seat/bunk combination, for example.



Precision steering. The Atego's sensitive steering provides for simple, exact handling during manoeuvring, while at high speeds it ensures reliable straight-line and high directional stability along with a correspondingly reduced need for corrective steering.

Rear axle guide and stabiliser. For superior handling, air-sprung Ategos up to 10.5 t and 12 t with low frame as well as all Ategos with steel suspension are fitted with a rear-axle guide that reduces roll understeer. The robust stabiliser reduces vehicle roll and thus offers greater safety and comfort. It is situated under the frame at the rear axle.

Suspension variants. The Atego is equipped with weight-optimised single- or multi-leaf parabolic springs. For enhanced ride comfort, it is also available with rear-air suspension. Ategos rated at 12 t or over are also optionally available with full pneumatic suspension. An air-sprung front axle (which is available for the Atego rated at 12 t and over) enhances ride comfort, as the vehicle is levelled automatically when carrying an uneven load. It is also adjustable to assist loading/unloading.

Good body-mounting capability. The optimised layout of all components on the frame, a variety of PTOs and numerous factory-fitted pre-installations help streamline the body-building process. Additionally, the body-mounting ability is improved by the parameterisable special module which simplifies connection options, integration and operation of the body substantially.

Advantages at a glance.

- Ergonomically designed workplace with clearly legible instrument cluster and multifunction steering wheel
 - Comprehensive stowage concept
 - Comfortable beds in ClassicSpace and BigSpace L-cab
 - Optimised rear axle guide and direct, responsive steering
 - Application specific suspension variants for high ride comfort and gentle transportation of loads
 - Excellent body connections and integration
-

The ideal combination of power and efficiency.

Efficient 4 and 6-cylinder engines with high performance and low consumption. With the PowerShift 3 automated gearshift, driving is made easier, even in tough conditions.

Engine technology and emission control technology.

Powerful, reliable, economical – the Atego's Euro VI engines boast low fuel consumption, tractive power and very smooth running. The 4-cylinder inline engines deliver up to **170 kW** (231 hp) and peak torque of up to 900 Nm. The 6-cylinder inline engines deliver up to **220 kW** (299 hp) and peak torque of up to 1200 Nm. Thanks to modern Euro VI emissions technology, the cooled exhaust gas recirculation creates less nitrogen oxide and particulate matter during combustion. Particulate emissions are almost entirely prevented by the closed diesel particulate filter. NO_x reduction is carried out using AdBlue® which, thanks to an optimised metering unit, is injected into the exhaust gas flow.

Engine brake. The three-stage brake system offers up to 235 kW of brake power, which comes as standard on vehicles with a permissible gross vehicle weight of 9.5 t or over. This reduces wear on the service brake while enhancing safety and control of the vehicle.

High Performance Engine Brake. The three-stage, wear-free auxiliary brake is optionally available for even greater safety, offering up to 280 kW of braking power depending on the installed engine variant.

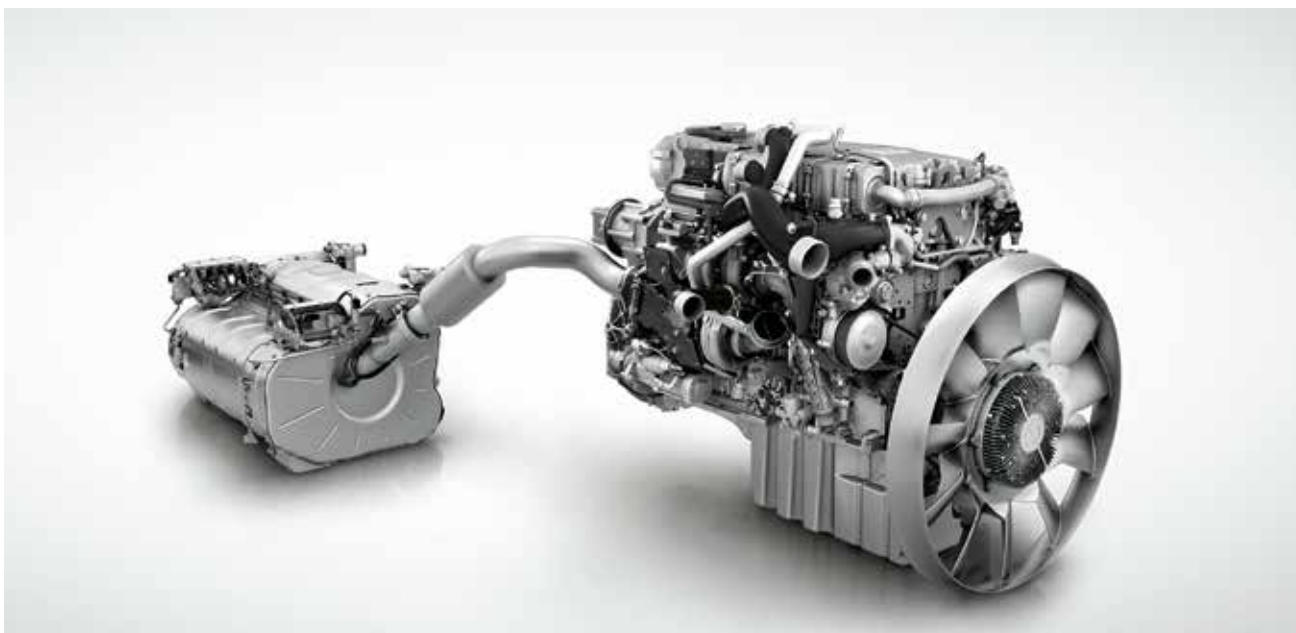
Transmission variants. The Atego is available with a choice of 6-, 8- or 9-speed transmissions, enabling the vehicle to be tailored effectively to its intended application. Matched rear-axle ratios complete the optimum powertrain package.

PowerShift 3. Superior dynamic response, simple handling and low fuel consumption. The automated transmission ensures precise gear selection, short shift times, high driving comfort and a very high level of economic efficiency.

Manual gearshift. In addition to the automated transmission, a manual transmission with pneumatic power-assisted gear shifting is optionally available. It features outstanding ergonomics and extremely precise shifting while requiring only a low shift force.

Atego driving programs. The Atego is available with the two driving programs “economy” or “power”, one of which you can select at the time of purchase. Different transmission modes enhance driving comfort and efficiency. The “economy” drive program can be activated selectively and supports an economical driving style. It is a functional addition to the “standard” transmission mode. The “power” drive program supports an agile mode of driving in difficult topography. The driving modes offer outstanding pulling-away characteristics, not to mention dynamism during difficult starts, as well as shift point selection and dynamic shifting to suit the given situation.

Additional functions. With PowerShift 3, additional functions such as direct shifting from forward to reverse and one reverse gear with a high ratio¹⁾ make for easy manoeuvring. The crawler function is particularly convenient when moving off.



Advantages at a glance.

- More fuel-efficient, reliable 4- and 6-cylinder in-line engines with high torque at low engine speeds
 - Two displacement classes, seven output ratings from 115 kW (156 hp) to 220 kW (299 hp)
 - Powerful engine brake, optional High Performance Engine Brake
 - PowerShift 3 automated gearshift as well as engageable driving modes and additional functions
-

¹⁾ Two reverse gears with 8-speed transmission.

Road

Efficiency

Honed for efficiency on every level.

Brings together those things which belong together. RoadEfficiency combines low total costs with greater safety and maximised use. For even more transport efficiency.

RoadEfficiency. With our vehicles, we promise you even greater efficiency. In addition to low total costs and high reliability, greater safety and maximised vehicle use also contribute to greater efficiency.

Low total costs. This is the first pillar of RoadEfficiency and a promise that the Atego bears out day in, day out by virtue of its high fuel efficiency – and with its versatility on every distribution haulage trip, its low repair and maintenance costs and its long maintenance intervals.

Greater safety. This is the second pillar of RoadEfficiency which helps to ensure that you enjoy high levels of safety on every trip you make in the Atego. It includes equipment and assistance systems which noticeably relieve the driver's workload and further enhance safety.

Maximised use. The third pillar of RoadEfficiency comprises the service innovation Mercedes-Benz Uptime and other pioneering advantages. In addition to simpler handling and work procedures, these also include the intelligent networking of driver, vehicle and logistics processes, which enables noticeable improvements in vehicle use and capacity utilisation.

Reliability. The Atego is a truck that bears out the “Trucks you can trust” claim in daily use, for example with application-specific and durable technology, not to mention more than 120 years of experience in vehicle manufacturing.

Low total costs
+ Greater safety
+ Maximised use

**RoadEfficiency is the
sum of the details.**

Safety is at the root of our DNA.

Getting you there safely – with the support of innovative assistance systems which actively ease the burden on the driver, help protect the vehicle and its cargo, contributing to greater efficiency. On every trip.

Greater safety. Trucks that are very safe are not just an important development for all road users. They are also more efficient, because they are less often put out of action by accidents and they relieve the driver's workload. This is why we have been focusing for over 45 years now on developing innovative assistance systems. Along with the electronic brake system with ABS, ASR, Active Brake Assist and hill holder, a high standard of safety is also ensured by Stability Control Assist, Lane Keeping Assist and daytime running lamps. Systems such as the optionally available rain and light sensor and the engine brake rated at up to 235 kW¹⁾ provide the driver with additional support. All this adds up to a good basis for safe and efficient work in distribution haulage.

High Performance Engine Brake. The three-stage, wear-free auxiliary brake is optionally available for even greater safety, offering up to 280 kW of braking power depending on the installed engine variant.

Lane Keeping Assist. Lane Keeping Assist continuously monitors the distance between the sides of the vehicle and the lane markings and can warn the driver when the vehicle is unintentionally drifting out of its lane.

Stability Control Assist. Stability Control Assist identifies situations such as skidding or swerving and counteracts them with braking intervention, as far as is physically possible. This can prevent dangerous driving situations, thus enhancing safety.

LED technology. The optionally available LED daytime running lamps help to improve recognition of the vehicle during the daytime for enhanced safety. LED clearance lamps and LED tail lamps are also optionally available.

Advantages at a glance.

- **Electronic brake system with ABS and ASR, Active Brake Assist and hill holder**
- **Stability Control Assist and daytime running lamps for a high standard of safety**
- **Engine brake rated at up to 235 kW¹⁾, optional High Performance Engine Brake offering up to 280 kW of braking power**
- **Optional rain and light sensor**

¹⁾ Available as standard from 9.5 t.

Never be satisfied with less. Except when it comes to fuel consumption.

The Atego makes extremely efficient use of fuel. The lower your fuel consumption, the lower your total costs.

Fuel-saving technology. All Euro VI engines boast low fuel consumption. On the 4 and 6-cylinder inline engines, high-pressure fuel injection with injection pressures up to 2400 bar and cooled exhaust gas recirculation ensure low fuel consumption and low-soot combustion. Application-specific drive configurations, PowerShift 3 and sophisticated aerodynamics also contribute to low fuel consumption.

Efficient power transmission. Various 6, 8 and 9-speed transmissions and fuel-saving hypoid axles with a wide range of rear axle ratios are available to ensure efficient power transmission from the engine to the road. The standard-specification PowerShift 3 automatic gearshift also offers high efficiency: with its optimised shift strategy and application specific drive programs, it enables a self-assured, anticipatory driving style in virtually any driving situation.

Low drag and rolling resistance. The design of the Atego has been optimised right down to the finest details in order to reduce wind resistance. From the bumper via the corner panelling to the roof – everything contributes to a low level of aerodynamic drag and thus to reduced fuel consumption. Optionally available aerodynamic body parts also reduce fuel consumption.

Advantages at a glance.

- Fuel-efficient, reliable Euro VI engines
 - Standard PowerShift 3 automated transmission with operationally optimised drive programs
 - Fuel-efficient powertrain configurations for efficient power transmission
 - Optimised aerodynamics
-

The ideal route to greater efficiency.

Intelligent connectivity linking driver, transport office and job opportunities, maximising efficiencies throughout the supply chain. Fleetboard Performance Analysis, coupled with our TruckTraining ensures that you continuously improve and maintain fuel efficiencies throughout your fleet.

Fleetboard. Fleetboard's next generation advanced telematics solutions help maximise utilisation, capacity and fuel efficiency of your fleet, providing you with clear visibility of your fleet anywhere and at anytime. All the data from your Fleetboard services are combined on a web-based interface designed for intuitive operation. You also receive recommendations on how you can optimise your daily business for enhanced efficiency. This free-of-charge Fleetboard Driver app designed specifically for the driver enables direct access to the data from the Fleetboard Performance Analysis and Time Management services. This provides drivers with an overview of their style of driving and their current driving times and breaks.



Fleetboard Performance Analysis. Fleetboard Performance Analysis supports and monitors your drivers to adopt a fuel-saving driving style that reduces wear at the same time. To this end, the telematics system records and analyses technical data from the truck. In addition to this, Fleetboard has exclusive access to data, allowing you to monitor the maximised use of the truck technologies. All this information is continuously analysed and the driving style assessed which results in a corresponding grade being awarded. This enables an objective assessment of the driving style allowing training to be tailored to the individual driver's results. All in all, up to 15% fuel savings are possible as a result.

Eco-Support¹⁾. This system helps the driver to adopt and maintain an efficient, fuel-saving driving style. For this purpose it uses the results from the Truck Data Centre²⁾ to compile tips on how drivers can improve their individual driving style, thereby reducing fuel consumption and wear on a lasting basis.

Truck Training. Optionally available Mercedes-Benz Truck Training teaches a way of driving that allows you to make even better use of the technical potential of your truck. This can lead to fuel savings of up to 10%.

Advantages at a glance.

- **Fleetboard Portal combines the full scope of data on one user interface**
 - **Plus: Fuel savings through Fleetboard Performance Analysis, Eco-Support¹⁾ and Mercedes-Benz Truck Training**
 - **Fleetboard Driver for drivers, with direct access to data from the Fleetboard Performance Analysis and Time Management services**
-

¹⁾ Independent of Fleetboard telematics system.

²⁾ Optional equipment.

It always pays to own a Mercedes-Benz. That also holds true when it comes to selling it.

At Mercedes-Benz we understand the complexities of running a modern-day business. We offer a variety of finance agreements to suit you and your business.

Mercedes-Benz ServiceContracts. From warranty extensions for maintenance packages to a comprehensive service contract including wear items – Mercedes-Benz offers an optional modular portfolio of service contracts comprising flexible repair and maintenance products at especially attractive conditions throughout Europe. The individual service contracts are graded to meet the requirements of each fleet excellently. Any of these service contracts can be combined with the innovative optional Mercedes-Benz Uptime^{1) 2)} which offers you significantly greater predictability with regards to workshops visits and vehicle uptime.

Mercedes-Benz Complete. The optionally available service contract Mercedes-Benz Complete gives you the ultimate peace of mind. It provides cover for all factory fit components and assemblies as well as for the replacement, repair and maintenance of all wear parts for precisely calculable, attractive monthly instalments. Additionally, with the optional Mercedes-Benz Uptime^{1) 2)} you benefit from all the advantages of a fully automatic tediagnosis in real time and all this at a particularly attractive monthly instalment.

Mercedes-Benz Finance. We are the only finance partner who has the full backing of our manufacturer, Mercedes-Benz, and we only finance Mercedes-Benz products. All this means that no-one else can provide you with more in-depth product support and assistance whenever you need it. One of the best things about using Mercedes-Benz Finance to purchase your truck is that you gain not just the best truck on the market. You also have a new business partner who will be with you every step of the way. Our expert business team and your local Dealer will help ensure you get the truck and finance package that's right for you.

Finance products include:

Hire Purchase. A straightforward, affordable route to ownership. This is the perfect way to finance a truck if you want to work your way up to full ownership over a period of time and spread the overall cost of owning a vehicle.

Agility (Personal Contract Plan). Agility is a flexible method of financing a truck over a fixed term. Agility allows you to defer your decision to purchase, hand back or part-exchange your vehicle until the end of your agreement.

Contract Hire. You lease your vehicle for a fixed period and for a fixed monthly rental, without having to take on the responsibility of ownership.

Finance Lease. The vehicle will appear as an asset on your balance sheet, without the option of ownership as you hire a vehicle for a fixed period.

Operating Lease. A solution for those who want to drive one of our vehicles over a fixed term, with lower monthly rentals and without the worries or commitment of ownership.

Price advantage. If you equip your truck with certain systems which enhance driving safety, you can take advantage of attractive savings. In the form of a low package price, favourable terms for leasing or financing and a discount on your insurance premium, for example.

Roadside Assistance. Around the clock and around the country, Mercedes-Benz Service24h roadside assistance will keep you moving. We are able to fix most breakdowns at the roadside, and 90% within 24 hours. Service24h is included in your warranty, and thereafter it is available at a competitive fixed tariff. In addition, with a Service Contract Complete, you receive our Zero Tolerance on Downtime promise which provides you with a free replacement vehicle if yours isn't fixed within 24 hours³⁾.

Approved Used Trucks. We have the largest selection of Mercedes-Benz Used trucks in the UK, available from 60 Dealer locations and supported by more than 80 Dealer service departments. Only our premium quality trucks qualify to be one of our Approved Trucks.

Residual value. When you choose our trucks, you can count on vehicles whose innovative technology and task-optimised vehicle configurations mean you can look forward to a particularly high residual value. This is an important consideration for every truck operator because the higher a truck's residual value is at the end of its period of use, the lower its depreciation is while it is in service.

Advantages at a glance.

- Mercedes-Benz ServiceContracts offer you additional peace of mind on the road
- There are varying levels of service contract cover tailored to your needs as a business customer
- Mercedes-Benz ServiceContracts available with Mercedes-Benz Uptime. Intelligent, real-time monitoring that keeps your truck on the road where it belongs
- Mercedes-Benz ServiceContracts Complete promise Zero Tolerance on Downtime
- Approved Used Trucks – professional used vehicle organisation for purchase and sale of used trucks of all brands, age groups and models
- No risk to trade-in value at end of contract

¹⁾ Can be combined with all Fleetboard services.

²⁾ Only in conjunction with Truck Data Centre.

³⁾ Terms and conditions apply.

Keeping business rolling. With optimum vehicle usage.

Intelligent networking of vehicle, Mercedes-Benz Service and your transport company enable vehicle use, vehicle capacity and the efficiency of your logistics processes to be increased noticeably.

The vision behind Mercedes-Benz Uptime: 100% predictability and maximum vehicle availability. With Mercedes-Benz Uptime we are pursuing a clear objective: to permanently minimise unscheduled vehicle downtime and to make repairs predictable resulting in increased vehicle availability.

Mercedes-Benz Uptime in use. The new service Mercedes-Benz Uptime^{1) 2) 3)} makes for even more reliable and cost-effective fleet operation. Because repair and maintenance needs can be identified at an early stage, making them predictable. Constant communication from all the connected on-board systems generates several gigabytes of data per truck per day, which can be used for a range of vehicle diagnostic functions. The majority of diagnostic processes are already automatically and remotely monitored by Mercedes-Benz Uptime. This means that the cause of the fault is already known by the workshop before your vehicle arrives there. After the data from the truck has been received, Mercedes-Benz Uptime automatically provides the Dealer with recommendations for action by the workshop within an average of 240 seconds. This enables diagnosis, clear recommendations for action and identification of parts required based on the repair instructions. In other words: the workshop is optimally prepared for your visit, even if it is unscheduled. This shortens the diagnosis time at over 1500 of our Mercedes-Benz Dealers across Europe who are certified for Mercedes-Benz Uptime. This saves time and money. With the majority of Mercedes-Benz Uptime vehicles, workshop visits have already been reduced by over

half thanks to early fault detection. That's not a promise, it's a fact. This means: your trucks are back on the road faster. Mercedes-Benz Uptime means increased vehicle availability resulting in even more efficient vehicle use.

¹⁾ Included in Mercedes-Benz Complete, optionally available with every other Mercedes-Benz Service Contract or as a separate product.

²⁾ Can be combined with all Fleetboard services.

³⁾ Only in conjunction with Truck Data Centre.

Mercedes-Benz Uptime



Real-time support for customer repairs. Failure to carry out regular maintenance tasks can increase wear and tear and lead to damage or breakdown. Mercedes-Benz Uptime gives you timely information and clear instructions on the maintenance tasks you can carry out yourself, including regenerating the diesel particulate filter, topping up fluids and correcting tyre pressure.



Efficient management of repair and maintenance work. Any applicable repair and maintenance needs are detected at an early stage and automatically relayed to your chosen Service Partner. The workshop can prepare for your visit by ordering parts and scheduling the work. Multiple tasks can be bundled, resulting in fewer workshop visits and a significant reduction in downtime.



Prevention of predictable vehicle breakdowns. If your truck is likely to break down due to a condition that has been detected by one of the vehicle's electronic sensors, you will be informed by the Mercedes-Benz Customer Assistance Centre (CAC). We will check availability of parts and resources, then help arrange a workshop appointment so your vehicle can be repaired straight away, with the absolute minimum disruption to your schedule.

Mercedes-Benz Uptime customer portal. Choosing Mercedes-Benz Uptime gives you access to the exclusive online Mercedes-Benz Uptime portal. It provides a complete overview of the overall status of your vehicles in real time: all current messages from Mercedes-Benz Uptime are displayed in a clear format. Information on the current status of wearing parts and operating fluids in the individual vehicles is available to you here. This allows optimal maintenance and repair scheduling. And if, in addition to Mercedes-Benz Uptime, you use Fleetboard, this information is also displayed in the Fleetboard cockpit, allowing you to continue to work with your familiar systems.

For more information about Mercedes-Benz Uptime, contact your Mercedes-Benz Dealer or go to: www.mercedes-benz.com/uptime

Mercedes-Benz Service24h: Assistance around the clock. Mercedes-Benz Service24h ensures direct assistance in the event of a breakdown – 365 days a year and 24 hours a day. A call to the free¹⁾ hotline on 00800 5 777 7777 is all it takes. In the event of a breakdown, excellently equipped service technicians arrive at the scene with a mobile workshop to get the vehicle up and running again as quickly as possible.

Mercedes-Benz Service. Throughout Europe approx. 1700 Mercedes-Benz service outlets are at your disposal for workshop services, many operate 24 hours a day. Furthermore, our trained staff and an extremely efficient parts logistics system enable particularly short repair times and ensure that your truck is back on the road as quickly as possible.

Truck Data Centre²⁾. This connectivity module provides the basis for all Fleetboard services and the use of Mercedes-Benz Uptime.

Mercedes-Benz Truck App Portal^{2) 3)}. The Atego also gives you optional access to the Mercedes-Benz Truck App Portal in the form of the DispoPilot.guide²⁾ retrofit solution. The Mercedes-Benz Truck App Portal is the marketplace for apps designed to improve the performance of truck fleets. The apps are able to access vehicle data in real time, not only making the driver's day-to-day work easier, but also adding to the efficiency of the fleet as a whole by means of intelligent networking.

Parameterisable special module. The optionally available parameterisable special module (PSM) provides excellent information processing and a smooth exchange of information between vehicle and body.

Engine start/stop for BB⁴⁾. For improved vehicle usage and simplified work procedures, the Atego is optionally available with automatic engine start/stop for bodies. This enables the body electronics to start and stop the engine automatically as necessary, irrespective of whether the cab is locked. In order to avoid misuse such as vehicle theft, the transmission is blocked when the engine is started by the body electronics, thus preventing the vehicle from being driven away.

Advantages at a glance.

- **Mercedes-Benz Uptime^{5) 6) 7)}: personal customer support in real-time for greater ease of planning and maximum vehicle availability**
 - **Service24h: fast help around the clock in emergencies⁸⁾**
 - **Expansive workshop network with Europe-wide service outlets**
 - **Optional programmable special module to facilitate the control and operation of bodies**
-

¹⁾ If your mobile phone provider charges for Freephone numbers, please call +44 (0) 207 660 9991.

²⁾ Optional equipment.

³⁾ Only in conjunction with Truck Data Centre and DispoPilot.guide.

⁴⁾ Only in conjunction with programmable special module.

⁵⁾ Included in Mercedes-Benz Complete, optionally available with every other Mercedes-Benz Service Contract or as a separate product.

⁶⁾ Can be combined with all Fleetboard services.

⁷⁾ Only in conjunction with Truck Data Centre.

⁸⁾ Please first notify the police and rescue services if any person is injured.





Giving you that extra edge.

During the construction of our trucks, we always use the strictest quality standards: Real-life requirements. Or in short: Your requirements.

Reliability. For us, this means providing you with trucks that operate without a hitch, even in extreme conditions and in difficult terrain. In other words: “Trucks you can trust”. As your partner who helps you to master your daily transport tasks efficiently, we will continue to put our all into ensuring you have reliable vehicles at your disposal. With the wealth of experience that comes from more than 120 years in vehicle manufacturing. With trucks boasting robust components that

have been tried and tested thousands of times and equipment designed to cope with the topographic and climatic conditions that prevail where the vehicles are to be operated. This applies to engines, gearshifts, transmissions and drive axles as well as frames, chassis, suspension and cabs, as a reliable truck can only ever be the sum of its reliable individual components. Tailored perfectly to practical requirements.

Tested to the highest standards: yours.

From the windscreen wiper to the brake lamp – at Mercedes-Benz, reliability is built-in as standard. This comes from a recognition that every component is important – right from the design and development stage.

Development and testing. The reliability of a truck is determined in the development stage. To this end, defined reliability targets are set for each individual part and assembly and for the truck as a whole. Work at the Development and Testing Centre in Wörth draws on the extensive experience available here, applying the very latest scientific methods and focusing on our customers' expectations. We test all aspects of our trucks' robustness, durability and reliability.

Production in Wörth. The workforce at the world's largest truck plant in Wörth go about their work with meticulous dedication. From robust, application-specific frames through to custom-designed and painted cabs to the engines produced using high-grade cast parts at the Mannheim plant. All components are subject to ongoing examination and testing throughout the entire development and production process.



Reliable engines. All engines offer a particularly robust, durable design, a high degree of reliability and an extended service life.

Powertrain. All components of the drivetrain are perfectly matched and produced exclusively at Mercedes-Benz.

Frame, chassis, suspension. Road and construction-site use impose different requirements on the frame, chassis, suspension and brakes. Accordingly, our trucks are equipped with precisely the components required for the job in hand. To ensure a high degree of tailoring to operational needs, a long service life and reliability, there are various frame widths and thicknesses available as well as a diverse range of suspension variants.

Mercedes-Benz Custom Tailored Trucks (CTT). Made-to-measure body building. Mercedes-Benz Custom Tailored Trucks extends our wide portfolio of trucks and supplies products which meet your special requirements with all the benefits of proven Mercedes-Benz quality.

Application Information Centre (BIC). The Application Information Centre in Wörth offers a permanent display of around 180 sector-specific complete vehicles with body solutions from over 60 manufacturers. All vehicles and body assemblies can be compared and test-driven under real conditions.

Mercedes-Benz GenuineParts and Genuine Remanufactured Parts. More than 100 years' experience in vehicle and parts development make our parts Mercedes-Benz GenuineParts. Through exacting and precise manufacturer specifications, continual further development and comprehensive testing and checks, we ensure that our competitively-priced GenuineParts always meet the technological state of the art and high quality standards of Mercedes-Benz. The perfectly attuned logistics system ensures swift and smooth delivery of our GenuineParts to your Dealership. We also offer a range of components as Mercedes-Benz Genuine Remanufactured Parts, including major assemblies, mechanical parts, electronic components or even replacement engines and transmissions.

Advantages at a glance.

- Reliability through robust design and manufacture by Mercedes-Benz
 - Application Information Centre in Wörth
 - Mercedes-Benz Custom Tailored Trucks for tailored body building
 - Mercedes-Benz GenuineParts for reliability and value retention as well as Genuine Remanufactured Parts as a cost-effective alternative
-

For the most discerning of requirements – Genuine Accessories.

Enabling the Atego to do even better justice to your idea of the perfect distribution vehicle. Mercedes-Benz Genuine Accessories.

CB radios. Always on the move, always on reception. Especially when you are on the move, good contacts are important. A CB radio device provides the ideal conditions for keeping in touch with your colleagues.



A place for everything. Practical stowage tray with large compartments for all those things you need within easy reach.

Protection and comfort. The seat covers protect the seats against wear, damage and dirt. Besides their straightforward fitting and non-slip design, they make the seat feel pleasant to sit in. The rugged floor mats protect the interior from dirt and damage, fit the shape of the footwell optimally and are coated on the underside to prevent them from slipping out of place.



Stainless steel step. Make an entrance: with the non-slip step in high-quality stainless steel.

Side window wind deflector. The aerodynamically optimised tinted or clear side window deflector set for the driver's or co-driver's side protects against the airflow when driving with the windows open.



Maintaining an overview. Activated automatically when reverse is selected, the reversing camera system provides a view of the area immediately behind the vehicle, thus making for enhanced safety and facilitating accident prevention when manoeuvring.

RoadStars: the home for all those, who are at home on the road.

RoadStars. RoadStars is the interactive communication platform from Mercedes-Benz for drivers, operators and anyone with an interest in trucks – you too can become an active part of the great RoadStars community. Registered users are kept up to date with the latest information on a regular basis. You also have the opportunity to get more involved, for example by posting comments, uploading

images, chatting or sharing content. As a member, you also benefit from exclusive events, offers and experiences with Mercedes-Benz Trucks. Via smartphone, tablet PC, laptop or desktop computer – an internet connection is all it takes and RoadStars is at your service any time, anywhere.

Join in now and become a genuine RoadStar:

www.roadstars.mercedes-benz.com



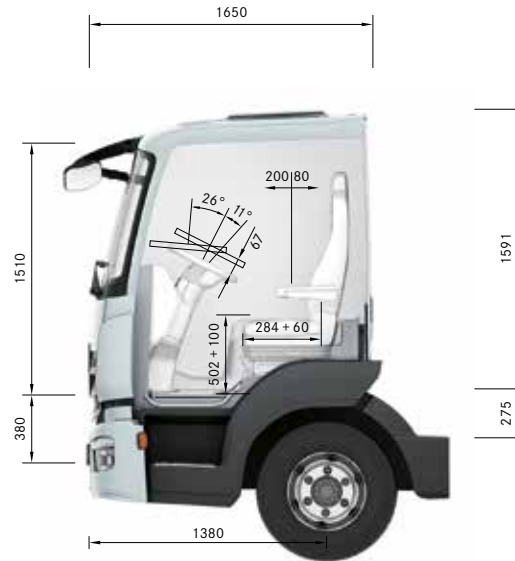
Technical data. The Atego.

Cab variants.

S-cab

ClassicSpace S-cab

Exterior width: 2295 mm
 Exterior length: 1650 mm
 Interior width: 2000 mm
 Headroom in front of the seats: 1510 mm



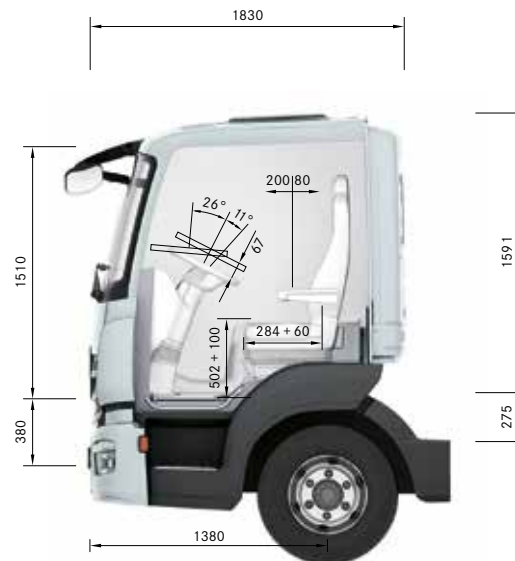
ClassicSpace S-cab



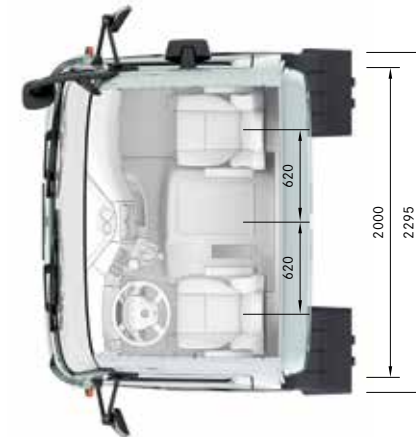
ClassicSpace S-cab

ClassicSpace S-cab, extended

Exterior width: 2295 mm
 Exterior length: 1830 mm
 Interior width: 2000 mm
 Headroom in front of the seats: 1510 mm



ClassicSpace S-cab, extended



ClassicSpace S-cab, extended

L-cab

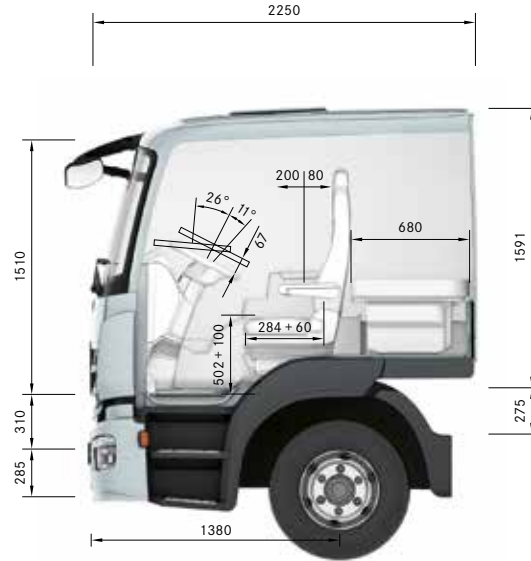
ClassicSpace L-cab

Exterior width: 2295 mm

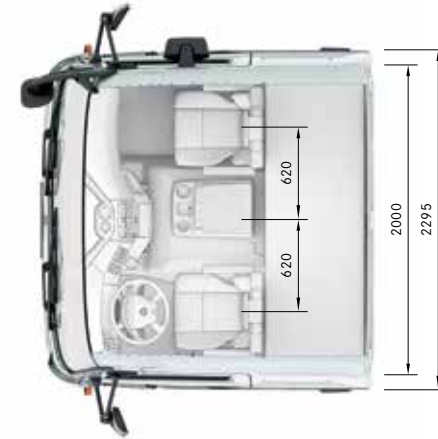
Exterior length: 2250 mm

Interior width: 2000 mm

Headroom in front of the seats: 1510 mm



ClassicSpace L-cab



ClassicSpace L-cab

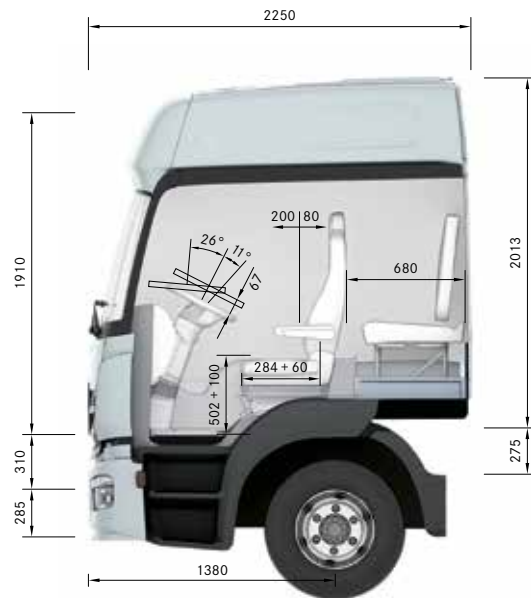
BigSpace L-cab

Exterior width: 2295 mm

Exterior length: 2250 mm

Interior width: 2000 mm

Headroom in front of the seats: 1910 mm



BigSpace L-cab



BigSpace L-cab

Technical data. The Atego.

Model overview.

Gross vehicle weight	7.49	7.99	9.5	10.5	11.99 ¹⁾	13.5	15	6.5	7.49	7.99	9.5	10.5	11.99 ¹⁾	13.5	15
Wheel configuration	4x2	4x2	4x2	4x2	4x2	4x2	4x2	4x2	4x2	4x2	4x2	4x2	4x2	4x2	4x2
Rear suspension	Steel	Steel	Steel	Steel	Steel	Steel	Steel	Air	Air	Air	Air	Air	Air	Air	Air
Engines															
OM 934															
115 kW (156 hp)	x	x	x	x	x ²⁾	-	-	x	x	x	x	x	x ²⁾	-	-
130 kW (177 hp)	x	x	x	x	x	x	x	-	x	x	x	x	x	x	x
155 kW (211 hp)	x	x	x	x	x	x	x	-	x	x	x	x	x	x	x
170 kW (231 hp)	x	x	x	x	x	x	x	-	x	x	x	x	x	x	x
OM 936															
175 kW (238 hp)	-	x	x	x	x	x	x	-	-	x	x	x	x	x	x
200 kW (272 hp)	-	-	-	-	x ³⁾	x	x	-	-	-	-	-	x ³⁾	x	x
220 kW (299 hp)	-	-	-	-	x ³⁾	x	x	-	-	-	-	-	x ³⁾	x	x
Wheelbase															
3020 mm	x	x	x	x	-	-	-	-	x	-	-	-	-	-	-
3320 mm	x	x	x	x	-	-	-	-	x	-	-	-	-	-	-
3560 mm	-	-	-	-	x ³⁾	x	x	-	-	-	-	-	x ³⁾	x	x
3620 mm	x	x	x	x	x ²⁾	-	-	x	x	x	x	x	x ²⁾	-	-
4160 mm	-	-	-	-	x ³⁾	x	x	-	-	-	-	-	x ³⁾	x	x
4220 mm	x	x	x	x	x ³⁾	-	-	x	x	x	x	x	x ²⁾	-	-
4760 mm	-	-	-	-	x ³⁾	x	x	-	-	-	-	-	x ³⁾	x	x
4820 mm	x	x	x	x	x ²⁾	-	-	-	x	x	x	x	x ²⁾	-	-
5360 mm	-	-	-	-	x ³⁾	x	x	-	-	-	-	-	x ³⁾	x	x
5420 mm	-	-	-	-	x ²⁾	-	-	-	-	-	-	-	x ²⁾	-	-
5960 mm	-	-	-	-	x ³⁾	-	-	-	-	-	-	-	-	-	-
6260 mm	-	-	-	-	x ³⁾	x	-	-	-	-	-	-	-	-	-
Cab variants															
ClassicSpace S-cab	x	x	x	x	x	x	x	x	x	x	x	x	x	x	x
ClassicSpace S-cab extended	x	x	x	x	x	x	x	x	x	x	x	x	x	x	x
ClassicSpace L-cab	x	x	x	x	x	x	x	x	x	x	x	x	x	x	x
BigSpace L-cab	x	x	x	x	x	x	x	x	x	x	x	x	x	x	x

x Available

- Not available

¹⁾ Also available as a low-frame vehicle.

²⁾ Only available for body types with a low frame.

³⁾ Only available for body types with a standard frame.

Technical data. The Atego.

Engine performance data.

OM 934

4-cylinder in-line, 5.1 l displacement

Output	115 kW (156 hp)	130 kW (177 hp)	155 kW (211 hp)	170 kW (231 hp)
Number of cylinders	4	4	4	4
Displacement (l)	5.1	5.1	5.1	5.1
Rated engine speed (rpm)	1800	1800	1800	1800
Max. torque (Nm)	650	750	850	900
Maximum torque speed (1/min)	1200-1600	1200-1600	1200-1600	1200-1600
Engine braking power, standard (kW)	140 ¹⁾	140 ¹⁾	140 ¹⁾	140 ¹⁾
Engine braking power, high performance (kW)	170 ¹⁾	170 ¹⁾	170 ¹⁾	170 ¹⁾

OM 936

6-cylinder in-line, 7.7 l displacement

Output	175 kW (238 hp)	200 kW (272 hp)	220 kW (299 hp)
Number of cylinders	6	6	6
Displacement (l)	7.7	7.7	7.7
Rated engine speed (rpm)	1800	1800	1800
Max. torque (Nm)	1000	1100	1200
Maximum torque speed (1/min)	1200-1600	1200-1600	1200-1600
Engine braking power, standard (kW)	235 ¹⁾	235 ¹⁾	235 ¹⁾
Engine braking power, high performance (kW)	280 ¹⁾	280 ¹⁾	280 ¹⁾

¹⁾ At max. permissible braking rotational speed (3000 rpm).

Please note: changes may have been made to the product since this publication went to press (30.08.2019). The manufacturer reserves the right to make changes to the design, form, colour or specification during the delivery period, provided these changes, while taking into account the interests of the vendor, can be deemed reasonable with respect to the purchaser. Where the vendor or the manufacturer uses symbols or numbers to describe an order or the subject of an order, no rights may be derived solely from these. The illustrations and texts may include accessories and optional equipment which do not form part of the standard specification. Colours may differ slightly from those shown in the brochure, owing to the limitations of the printing process. The images shown are to be considered examples only and do not necessarily reflect the actual state of the original vehicles. The appearance of the original vehicles may differ from these illustrations. Subject to change. This publication may also contain models and services which are not available in certain countries. This brochure is distributed internationally. It provides a general indication of the range of models, features, special equipment and/or colours available in various countries. Some of the models, features, special equipment and/or colours may not be available in your country, or may only be available in a different specification. Additionally, some models, features, special equipment and/or colours may only be available in combination with others. Please consult your authorised Mercedes-Benz truck Dealer for final details of local provisions and the implications thereof.

www.mercedes-benz-trucks.com