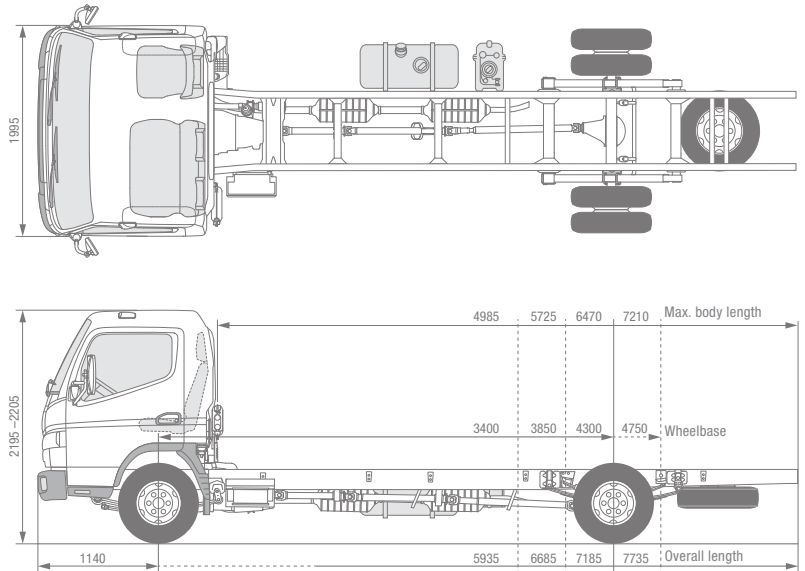




CANTER 7C18 DUONIC® 2.0 RHD



Dimensions				
Model	Vehicle model			
	7C18			
	Cab type / crew			
	Comfort, single cab / 3			
	Model variant	46838522	46838722	46838822
	FUSO model code	FEB71ER3SEU4	FEB71GR3SEU4	FEC71HR3SEU4
				46838925
				FEC71KR3SEU4

DIMENSIONS mm				
Wheelbase		3400	3850	4300
Overall length		5935	6685	7185
Cab length				1625
Width overall		2025		2135
Cab width				1995
Height overall		2195		2205
Track width	Front / rear	1665 / 1560		1665 / 1670
Frame height (at end of frame)				830
Ground clearance				185
Cab to rear axle		2875	3325	3775
Cab to end of frame		4270	5020	5520
Max. body length**		4985	5725	6470
Frame width		750		850
Front overhang				1140
Rear overhang		1395	1695	1745
Front axle to front of body				625
Recommended distance cab to body				100

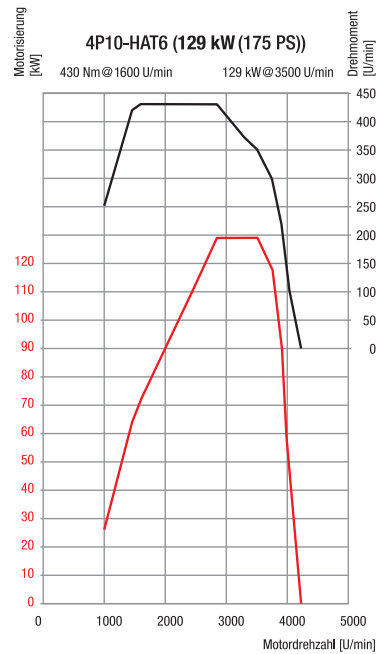
WEIGHTS kg				
Empty weight*		2540	2555	2600
	Front* / rear*	1650	890	1650
			905	1660
				940
				1680
				935
Minimum vehicle weight				2650
Gross vehicle weight / gross combination weight				7490 / 10,990
Axle loads	Front / rear			3100 / 5990
Towed weight	Braked / unbraked			3500 / 750
Chassis load bearing capacity		4960	4945	4900
				4885

CALCULATED OUTPUT				
Max. speed	km/h			130
Max. climbing ability	(tan q)%			29.5
Min. turning circle (m)	Kerb to kerb	12.2	13.8	15.2
	Wall to wall	13.8	15.2	16.6
				18.0

* including coolant, oil, 90% fuel, tyre sealant, tools and driver weighing 75 kg; ** calculated maximum value. Should be checked depending on the body installed and the particular application
 Subject to change without notice. The information in this data sheet should be considered approximate. The illustrations may show accessories and special equipment not part of the standard specification. This data sheet may also contain models and support services not available in certain countries.



CANTER 7C18 DUONIC® 2.0 RHD



Engine/Drivetrain/Chassis				
ENGINE (Euro VI)				
Type	Water-cooled four-stroke diesel engine with turbocharger, intercooler and direct injection			
No. of cylinders	4/in-line			
Capacity	2998 cc			
Peak output	129 kW (175 hp) / 3500 rpm			
Rated torque	430 Nm / 1600 rpm			
Diesel particulate filter	Service life approx. 300,000 km			
Alternator	Alternating current 12V, 140A			
Exhaust gas aftertreatment	SCR + DPF			
Fuel consumption	Total	Dependent on chassis equipment and installed bodies		
Emissions	Total	Dependent on reference dimension		
PTO (optional)	Type	31 kW with flange	62 kW with flange	31 kW for directly connected pumps
	Torque at peak output	196 Nm	392 Nm	196 Nm
	Gear ratios	1:0.655	1:0.727	1:0.651
	Engine speed at peak output	1500 rpm		

POWERTRAIN	
Transmission	Model: DUONIC® 2.0: Automated transmission with dual clutch, 6 forward speeds and 1 reverse gear
	Gear ratio: 5.397 - 3.788 - 2.310 - 1.474 - 1.000 - 0.701 Rev. 5.397
Final reduction gear	Ratio: 4.875

CHASSIS	
Front axle / rear axle	Model: F350T / R035T
	Load-bearing capacity: 3100 kg / 6000 kg
Tyres	205/75R17.5C 124/122 M
	Single tyres at front, twin tyres at rear, tyres with optimised rolling resistance
Wheel	17.5 x 6.00 - 127 - 9t - 6 wheel bolts
Steering	RHD
	Recirculating-ball steering with power assist, tilting telescopic steering column with steering-wheel lock
Brake	Service brake: Hydraulic with vacuum power assist, dual-circuit with load-dependent brake proportioning valve at rear wheels
	Front / rear: Disc brake (252 x 40)
	Parking brake: Mechanical expanding brake on drive shaft at rear of transmission
	Auxiliary brake: Exhaust brake (50 kW)
Suspension	Front / rear: Semi-elliptic leaf spring with shock absorber and stabiliser
Frame	Type: Ladder-type frame with reinforcements and crossmembers
Fuel tank capacity	100 litres
Electrical system – batteries	12 Volt (100 AH - 760 A(EN))